

JEYSONS INDUSTRIES

Air Tooth Clutch

Small Investment

Big Savings

Higher Torque in Small Package



EASY TO INSTALL & EASY TO OPERATE, LOWER TCO

Air Operated Tooth Clutch

Jeyson's Air engaged tooth clutch are used for instantaneous higher torque transmission in smaller package.

It is positive engagement for the drive without slipping. Engagement is possible under static or very low speed. Disengagement can be at any speed.

Operation is very simple, when high pressure air is supplied to the air cylinder through the Air Inlet Port, the piston move axially along with the Gear drive and engages with drive disc transmitting the torque. Torque can be controlled by increasing or decreasing air pressure.

When air is released, gear disc and piston move back to its original position using multiple springs, reducing the chances of failure.

JEYSONS's, rugged and high-performing TCM Series Friction brakes are air actuated, spring released models with the following characteristics.

- Torque range from 170 Nm to 6,200 Nm (1500 in. lbs. - 55,000 in. lbs.).
- Bore Size from 10 - 100mm in metric and 0.5" - 4.0" in inches.
- Sealed Radial Ball Bearing, lubricated for life.
- Pilot Mounting Standard, Optional Flange and Sprocket Mounting.
- Inch and Metric models available.
- Very low constant air is consumed throughout the clutch life.
- High torque capacity and long life.
- Thru Shaft mounting with full length keyway.
- Standard Air Inlet BSP Port (Optional NPT Port).

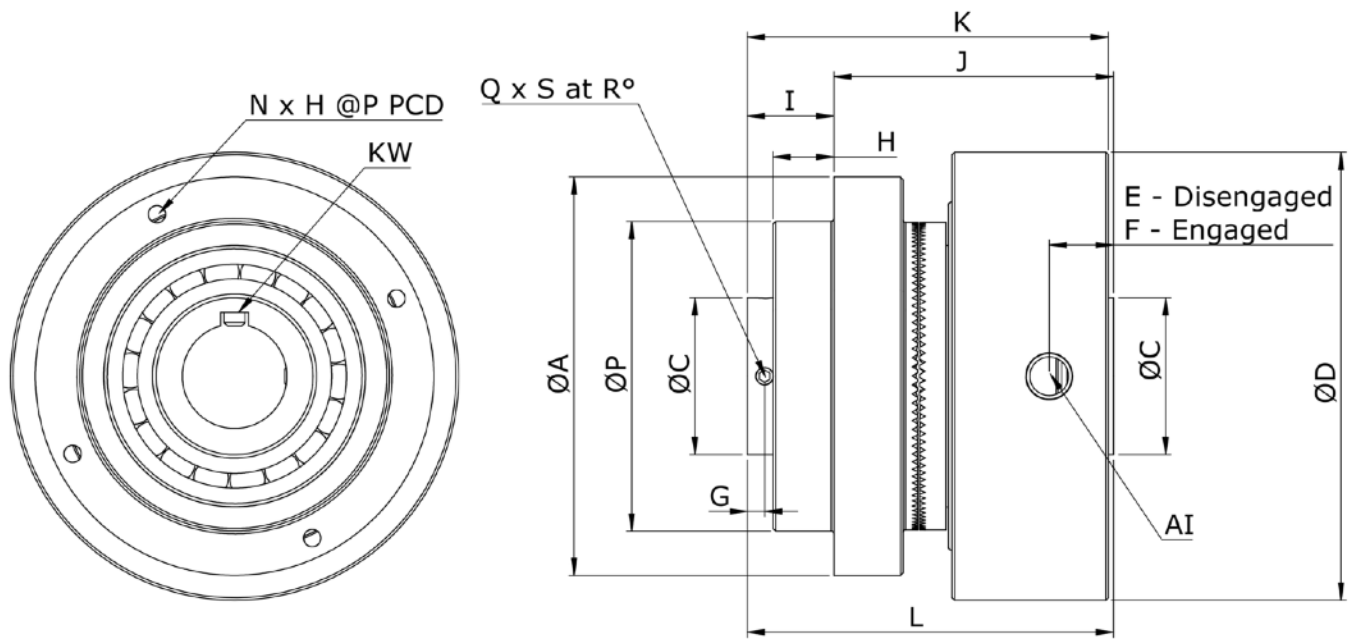
Applications

- Accurate Positioning
- Reversing / Multiple Speed
- Drive disconnect
- Positive Drive
- Unwind Tension Control

Used in

- Packaging Machines
- Bottler / Filler Capper
- Test Bench
- Steel Industry
- Motors and Gearboxes
- Conveyor
- Web Press
- Extruders
- Bucket Elevator
- Cranes

Air Operated Tooth Clutch



| Tooth Clutch | TCM1500 | TCM1850 | TCM2450 | TCM3640 | TCM4900 | TCM7060 | TCM12450 | TCM17430 | TCM32680 | TCM58600 |
|------------------------------------|---------|---------|---------|---------|---------|---------|----------|----------|----------|----------|
| AI (Inlet Port BSP) | 1/8" | | | | | | | 1/4" | | |
| Max Static Torque (In. Lbs) @80psi | 1500 | 1850 | 2450 | 3640 | 4900 | 7060 | 12450 | 17430 | 32680 | 58600 |
| Engagement | 64 | 90 | 106 | 122 | 137 | 152 | 182 | 214 | 244 | 328 |
| Air Volume (in ³) | 0.250 | 0.440 | 0.492 | 0.639 | 0.763 | 0.994 | 1.450 | 1.731 | 2.647 | 3.380 |
| Weight (Lbs) | 6 | 7 | 10 | 12 | 16 | 19 | 30 | 45 | 70 | 170 |
| ØA (mm) | 79.2 | 98.6 | 114.3 | 124.0 | 136.7 | 152.4 | 177.8 | 209.6 | 241.3 | 304.8 |
| Max ØB (mm) | 15.87 | 22.22 | 28.57 | 31.75 | 38.10 | 44.45 | 50.00 | 55.50 | 74.60 | 100.00 |
| Max KW (mm) | 4.8x2.4 | 4.8x2.4 | 6.4x3.2 | 6.4x3.2 | 9.5x4.8 | 9.5x4.8 | 12.7x6.3 | 12.7x6.3 | 19x6.3 | 25.4x9.5 |
| ØC (mm) | 38.1 | 35 | 45 | 45 | 60 | 65 | 75 | 85 | 95 | 100 |
| ØD (mm) | 93.7 | 115.8 | 128.5 | 134.9 | 153.9 | 166.6 | 192 | 211.1 | 235 | 311.2 |
| E (mm) | 22.1 | 18.5 | 18.9 | 18.0 | 21.1 | 21.1 | 25.5 | 25.2 | 59.4 | 76.3 |
| F (mm) | 23.6 | 20.6 | 20.9 | 20.1 | 23.1 | 23.1 | 27.5 | 27.4 | 61.4 | 78 |
| G (mm) | 6.4 | 5.0 | 5.1 | 5.1 | 5.1 | 6.6 | 6.6 | 6.6 | 15.9 | 15.9x2 |
| H (mm) | 14.2 | 17.4 | 17.4 | 17.4 | 21.4 | 19.8 | 22.2 | 30.15 | 47.6 | 50.8 |
| I (mm) | 23.7 | 23.2 | 25 | 25 | 28.6 | 29.7 | 32.3 | 40.3 | 73.9 | 77.5 |
| J (mm) | 71.5 | 75.8 | 80.0 | 82 | 89.4 | 91.3 | 104.7 | 110.7 | 144.8 | 189.5 |
| K (mm) | 87.3 | 97.4 | 103.1 | 106 | 113.9 | 117 | 131.6 | 145.8 | 218.7 | 241.9 |
| L (mm) | 95.2 | 99.0 | 105 | 107 | 118 | 121 | 137 | 151 | 219 | 267 |
| ØP (mm) | 57.1 | 73 | 88.87 | 88.87 | 104.75 | 114.27 | 133.32 | 146 | 187.3 | 228.6 |
| N (Nos) | 6 | 4 | 4 | 4 | 4 | 4 | 4 | 4 | 6 | 6 |
| H (mm) | M5 | M6 | M6 | M6 | M6 | M8 | M8 | M12 | M12 | M12 |
| M (mm) | 69.85 | 87.3 | 103.17 | 107.95 | 120.65 | 133.4 | 155.6 | 177.8 | 215.9 | |
| Q (Nos) | 2 | 2 | 2 | 2 | 2 | 2 | 2 | 2 | 3 | 3 |
| S (Set Screw) | M6 | M6 | M6 | M6 | M6 | M6 | M6 | M8 | M16 | M20 |
| R Position ° | 90 | 90 | 90 | 90 | 90 | 90 | 90 | 90 | 120 | 120 |

JEYSONS's PRODUCT RANGE



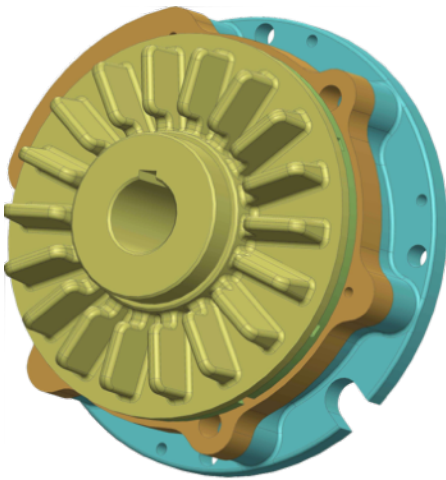
Pneumatic Clutch & Brake (PCB)



Micro Friction Air Clutch



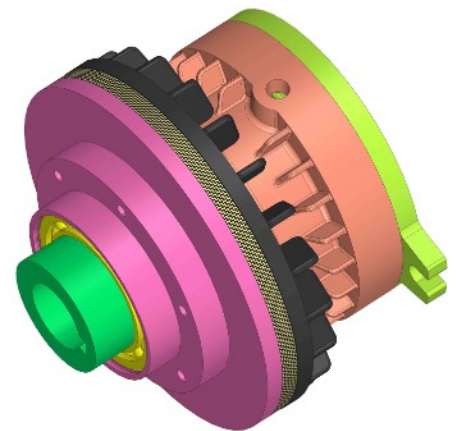
Multi Disc Friction Air Clutch



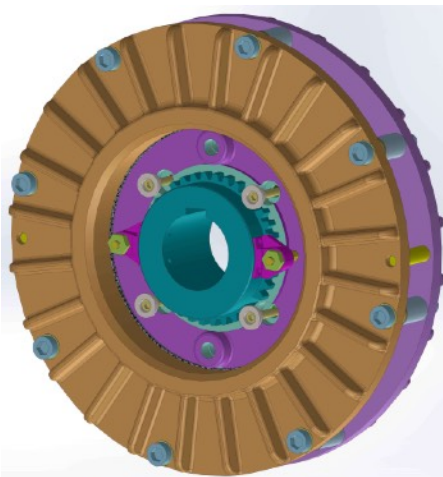
Air Brake



Mechanical One Way Clutch



Single Disc Friction Air Clutch



Dual Plate Friction Air Clutch



Servo Motor Safety Brake



Mechanical Safety Chuck

JEYSONS INDUSTRIES
L11-L14, CHAUDHARY INDUSTRIAL ESTATE,
VAKAN PADA, NALLASOPARA EAST,
TAL. VASAI, DIST. PALGHAR 401208
MOB: +91-9819 119925, +91-9167700983, +91-98208 17676
Email: sales@jeysons.com, URL: www.jeysons.com

AUTHORISED DEALER