

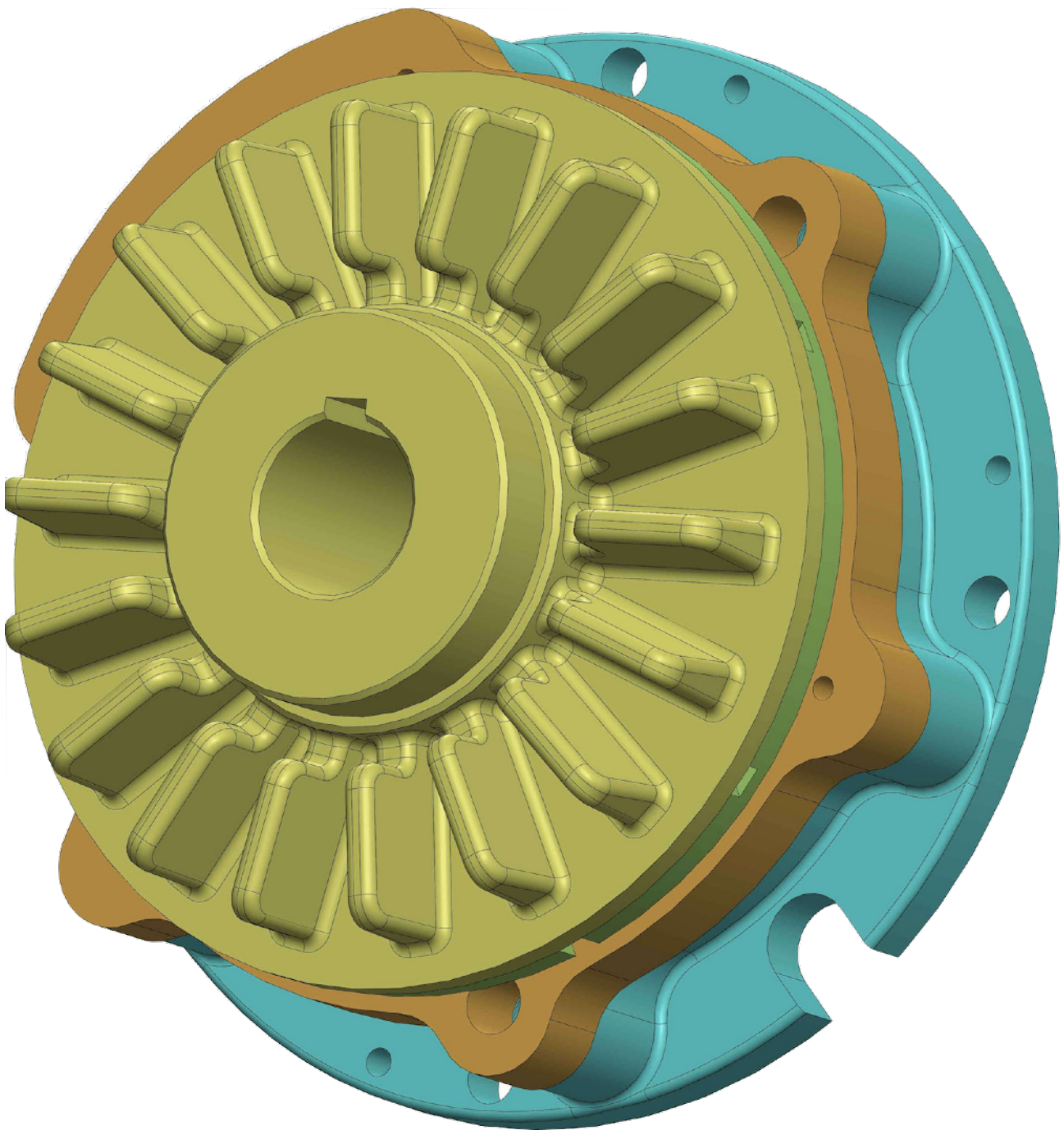
JEYSONS INDUSTRIES

Air Friction Brake

Small Investment

Big Savings

Precise Braking & Lower Operating Cost



EASY TO INSTALL & EASY TO REPLACE FRICTION FACING

Air Operated Friction Brake

Jeyson's Air engaged friction brakes are used for precise tension control for your unwind applications.

It provides higher thermal capacity and provides dependable long-lasting torque. With a high thermal output and torque, it is an ideal product for demanding tension control operations.

Operation is very simple, when high pressure air is supplied to the air cylinder through the Air Inlet Port, the piston move axially along with the pressure plate. Friction facing mounted on the pressure plate engages with the rotating friction disc, applying tension in the application. Torque can be controlled by increasing or decreasing air pressure.

When air is released, pressure plate and piston move backs to its original position with the help of springs.

JEYSONS's, rugged and high-performing FB Series Friction brakes are air actuated, spring released models with the following characteristics.

- Torque range from 2 Nm to 1,130 Nm (18 in. lbs. – 10,000 in. lbs.).
- Bore Size from 10 – 87.5mm (0.375 to 3.444 inches).
- High heat dissipation.
- Straight or Tapered (QD bushing bore).
- Inch and Metric models available.
- Self-adjusting for friction facing wear.
- High friction work capacity and long life.
- Split friction facing for fast replacement without removing the brake from machine.
- Standard Air Inlet BSP Port (Optional NPT Port).

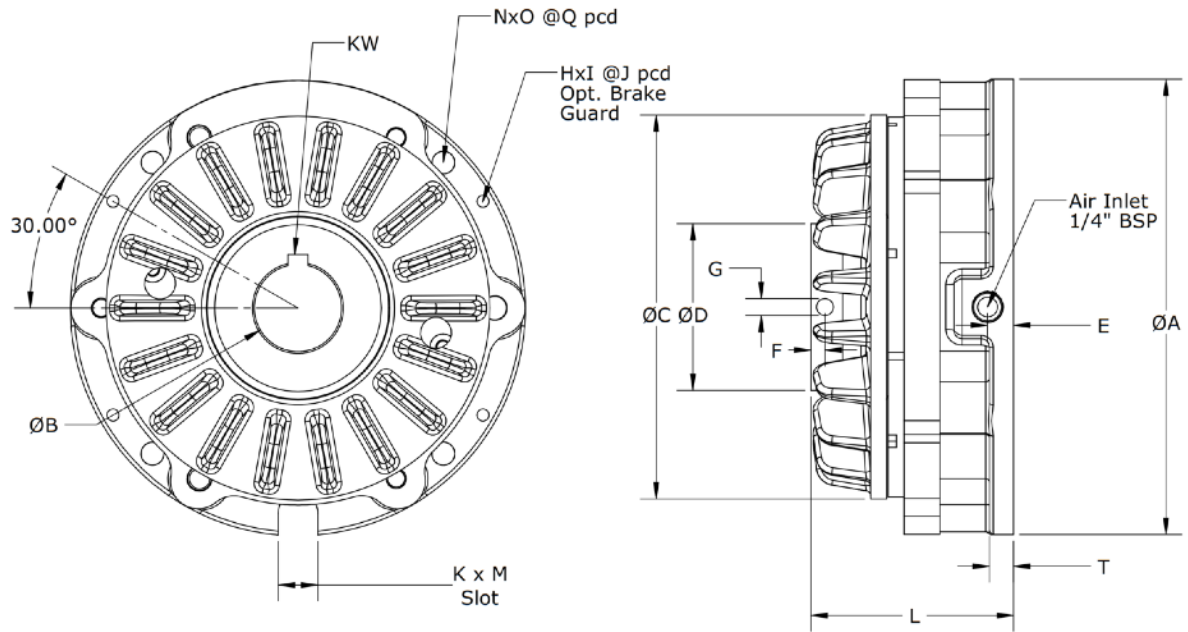
Applications

- Accurate Positioning
- Stopping / Holding
- Controlled Deceleration
- Cycling / Indexing
- Unwind Tension Control

Used in

- Tire Forming Machines
- NC Machines
- Lumber Machines
- A variety of Conveyors
- Printing Machines
- Packaging Machines
- Amusement Machines
- Flour Making Machines
- General Industry Machines
- Labor-Saving Machines.

Air Operated Friction Brake



Air Operated Friction Brake	FB440	FB840	FB1600	FB3450	FB5500	FB10000
Max Static Torque (In. Lbs) @80psi	440	840	1600	3450	5500	10000
Air Volume when new facing (in ³)	0.64	1.10	1.75	1.9	2.8	4.6
Air Volume when worn facing (in ³)	1.43	2.2	5.20	10.8	11.4	13.4
Weight (Lbs)	8.0	15.5	28.0	55.0	78.5	117.0
ØA (mm)	150.90	182.60	228.60	301.80	349.6	419.1
Max Bore ØB (mm)	28	38	50	75	75	87.5
Max KW (mm)	8x3	10x3.3	14x3.8	20x5	20x8	22.5x10
ØC (mm)	115.80	153.90	204.70	255.5	293.4	344.2
ØD (mm)	47.80	66.80	95.3	127.0	139.7	139.7
E (mm)	11.2	10.4	11.2	18.3	21.5	34.7
F (mm)	4.6	6.4	9.7	9.7	12.7	12.7
3 Nos x G (Set Screw) @120°	M6	M6	M6	M10	M12	M12
H (No. of Holes)	4	4	4	4	4	4
I (Metric Thread)	M4	M4	M4	M4	M4	M4
ØJ (mm)	133.40	171.4	212.9	277.8	317.5	381
K (mm) x M (mm) Deep Slot	10x16	16x17	20X18	24x23	25.5x27.8	28.5x33.3
L (mm)	63.60	81.2	92.1	102.4	126.4	142.2
N (No. of Holes)	4	4	4	4	4	4
O (mm)	7	9	10.5	13.5	14.5	16.5
ØQ (mm)	134.90	165.10	212.90	279.4	317.5	381
T (mm)	6.4	9.7	14.4	12.7	17.7	20.8

JEYSONS's PRODUCT RANGE



Pneumatic Clutch & Brake (PCB)



Micro Friction Air Clutch



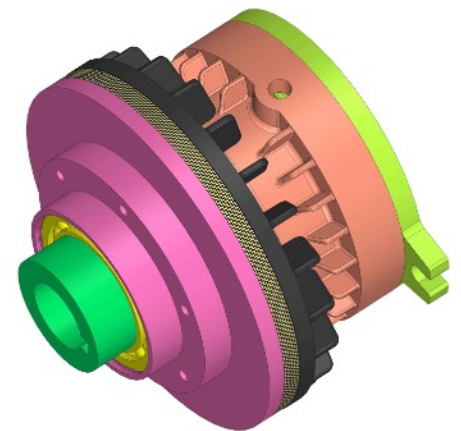
Multi Disc Friction Air Clutch



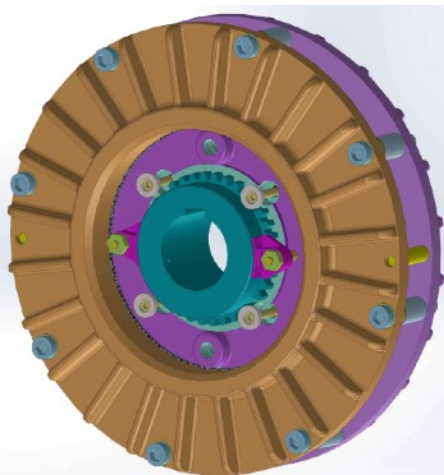
Tooth Air Clutch



Mechanical One Way Clutch



Single Disc Friction Air Clutch



Dual Plate Friction Air Clutch



Servo Motor Safety Brake



Mechanical Safety Chuck

JEYSONS INDUSTRIES
L11-L14, CHAUDHARY INDUSTRIAL ESTATE,
VAKAN PADA, NALLASOPARA EAST,
TAL. VASAI, DIST. PALGHAR 401208
MOB: +91-9819 119925, +91-98202 83685, +91-98208 17676
Email: sales@jeysons.com, URL: www.jeysons.com

AUTHORISED DEALER