

MAGNETIC WATER INLET VALVE

for water storage tanks

DESCRIPTION

The Abertax Technologies Magnetic Water Inlet Valve features a float with an embedded magnet that operates a diaphragm type valve. The rising water level lifts the float. The magnet inside the float then moves a stainless steel pilot plunger which closes the valve.

PRODUCT AND SAFETY FEATURES

- Normally open, pilot operated, diaphragm-type valve
- Made of non-corrosive and non-toxic materials
- Suitable for potable water
- Ideal for replacement of bulky float and lever type valve
- Designed and developed to meet also harsh working environments
- Smallest inlet valve on the market
- Does not have external moving parts
- Easy to install
- Fast operation; no partly closed valve position
- Customization is possible for specific applications
- It has an incorporated filter which can be easily cleaned preventing accumulation of dirt or grits

AVAILABLE MODEL – other Models on Customer Request

Magnetic Water Inlet Valve 4 bar 1/2 inch BSP 15mm

19 00 48 40 00U

ACCESSORIES

Connector male/female 1/2 inch BSP 40mm

17 22 08 58 060

Connector male/female 1/2 inch BSP 15mm

19 00 08 51 068

Connector male/female 3/4 inch BSP 15mm

17 22 08 53 06E

Connector male/female 1 inch BSP 15mm

17 22 08 55 06N

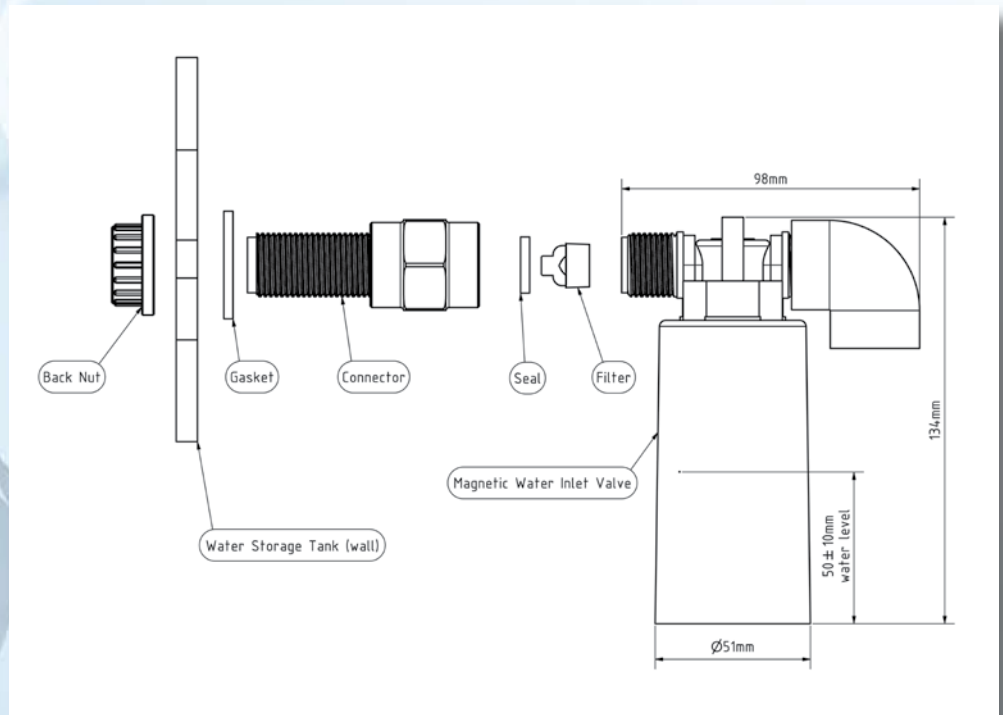
Int. Patent Protection on all Products
Product made in the European Union

Authorised Distributor for INDIA
JEYSONS INDUSTRIES
Mob: +91-9167700983
Email: awv@jeysons.com

MAGNETIC WATER INLET VALVE

smallest valve on the market

DIMENSIONS



MECHANICAL CONSTRUCTION

The Magnetic Water Inlet Valve has a glass-reinforced acetal resin body and a polypropylene float and housing. The armature is made of stainless steel 410/430 and the diaphragm is nitrile rubber. The screws are stainless steel and the magnetic material is ferrite. The inlet filter is made up of a stainless steel mesh encapsulated in a plastic housing that can be easily removed for cleaning.

TECHNICAL SPECIFICATIONS

Operating pressure	0.2 bar to 4 bar
Burst pressure	> 15 bar
Suitable fluid	Water
Fluid temperature	75°C max.
Inlet connection	1/2" BSP - others on request
Filter	Stainless steel mesh

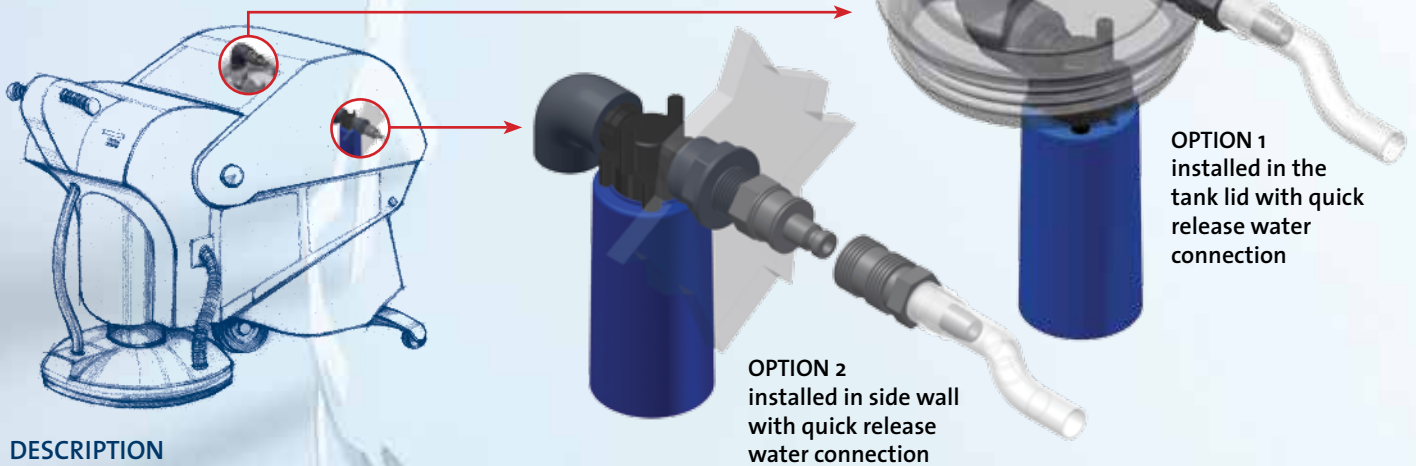
In the interest of product development, the manufacturer reserves the right to modify specifications. Reference is made to our terms & conditions – see www.abertax.com

Authorised Distributor for INDIA
JEYSONS INDUSTRIES
Mob: +91-9167700983
Email: awv@jeysons.com

MAGNETIC WATER INLET VALVE

for scrubber machines

INSTALLATION SUGGESTIONS



DESCRIPTION

The Abertax Technologies Magnetic Water Inlet Valve features a float with an embedded magnet that will operate a diaphragm type valve. The rising water level lifts the float. The magnet inside the float then moves a stainless steel pilot plunger which closes the valve.

PRODUCT AND SAFETY FEATURES

- Normally open, pilot operated, diaphragm-type valve
- Made of non-corrosive and non-toxic materials
- Suitable for potable water
- Ideal for replacement of bulky float and lever type valve
- Designed and developed to meet also harsh working environments
- Smallest inlet valve on the market
- Does not have external moving parts
- Easy to install
- Fast operation; no partly closed valve position
- Customization is possible for specific applications
- It has an incorporated filter which can be easily cleaned preventing accumulation of dirt or grits

AVAILABLE MODEL – other Models on Customer Request

Magnetic Water Inlet Valve 6 bar 1/2 inch BSP 15mm

19 00 48 42 002

ACCESSORIES

Connector male/female 1/2 inch BSP 15mm

19 00 08 51 068

Connector female/female 1/2 inch BSP

19 00 08 62 06J

Elbow female/female 1/2 inch BSP

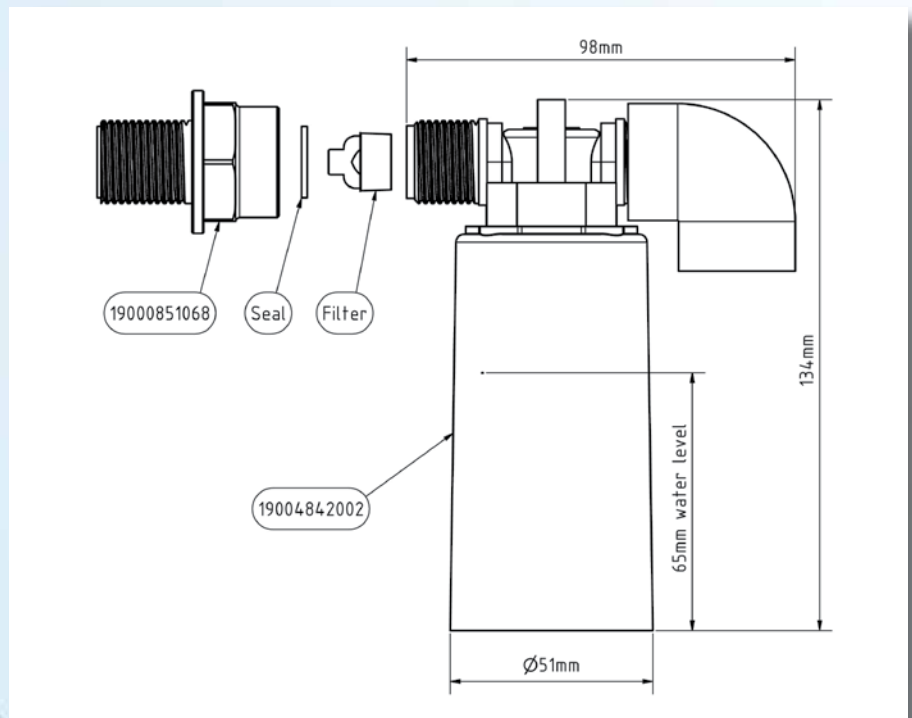
17 22 08 50 03T

Int. Patent Protection on all Products
Product made in the European Union

MAGNETIC WATER INLET VALVE

smallest valve on the market

DIMENSIONS



MECHANICAL CONSTRUCTION

The Magnetic Water Inlet Valve has a glass-reinforced acetal resin valve body, a polypropylene float and glass-reinforced polypropylene float guard. Die armature is made of stainless steel 410/430 and the diaphragm from FKM elastomer. The screws are stainless steel and the magnetic material is rare-earth.

APPLICATIONS

The Magnetic Water Inlet Valve is suitable to connect with quick release. Ideal for use in scrubber machines. Its size and advantages allow the designer to freely develop tank shapes which are not possible with the standard float and lever operating valve such as in scrubber machines.

TECHNICAL SPECIFICATIONS

Operating pressure	0.2 bar to 6 bar
Burst pressure	> 15 bar
Suitable fluid	Water
Fluid temperature	75°C max.
Inlet connection	1/2" BSP - others on request
Filter	Stainless steel mesh

In the interest of product development, the manufacturer reserves the right to modify specifications. Reference is made to our terms & conditions – see www.abertax.com

Authorised Distributor for INDIA
JEYSONS INDUSTRIES
 L11-L14, Chaudhary Ind. Est, Vakan Pada,
 Nalasopara East, Tal. Vasai, Dist. Palghar 401209
 Mob: +91-9167700983
 Email: awv@jeysons.com

