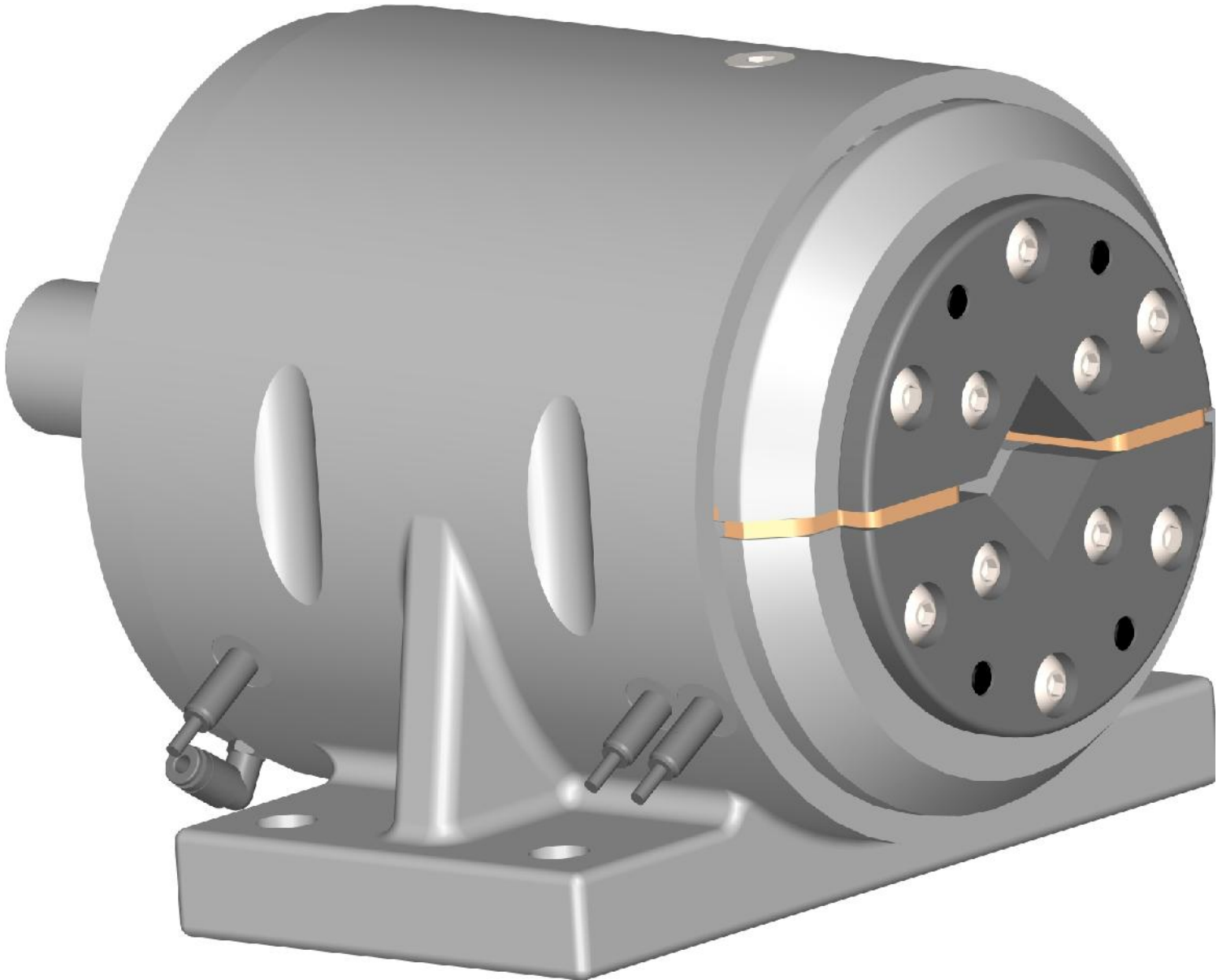


Answer for your heavy load roll shaft support wind and unwind applications



Jeyson's PSCP & PSCF Series Pneumatic Safety Chucks

Jeysons Industries is in the business of manufacturing highly reliable and technically superior industrial clutches & brakes, safety chucks and other power transmission products; providing strong engineering and technical support to clients interested in increasing their competitiveness and productivity in the ever-changing global market.

Our vision

To continually provide the best products & world class support to our customers by applying the highest standards of business processes which add value to our customers, suppliers and employees.

Our mission

To become India's leading **Manufacturer of Industrial Clutches & Brakes** by providing world-class quality and cost effective products to the world market. We will achieve this by offering an unparalleled level of service and commitment, which not only meets but exceeds our customer's expectations and requirements.

Through partnerships we will develop **Our people, Processes and Technology** to excel in business performance.

Our philosophy

At Jeysons, our philosophy is KISS (Keep It Simple Systems); we design and manufacture technically superior and competitively priced products. Our products are easy to use, have minimal downtime and lower operating & maintenance costs, while customers benefit from the highest level of customer satisfaction from us.

About us

Jeysons Industries launched its manufacturing operations in the year 2003. Suitably armed with an independent 4500 sq. ft. factory building, we work with a team of highly skilled professionals with 30 years experience in the field of manufacturing precision engineering products and components for some of the most critical industries of the world. Our quality control department too is at par with international standards where all instruments, gauges, jig & fixtures and machines are periodically calibrated. Testing, Identification and Traceability from Raw Material to Finished Products are standard norms followed by us. Even bought out components are identified and tracked in our well equipped systems.

Our products are field proven; 90% of our sales are from repeat customers and our products are running in 24x7 environments without breakdown or need for maintenance for years. [Our standard policy for all products is one year replacement warranty and 60 days no questions ask money back guarantee.](#)

Mechanical Safety Chucks

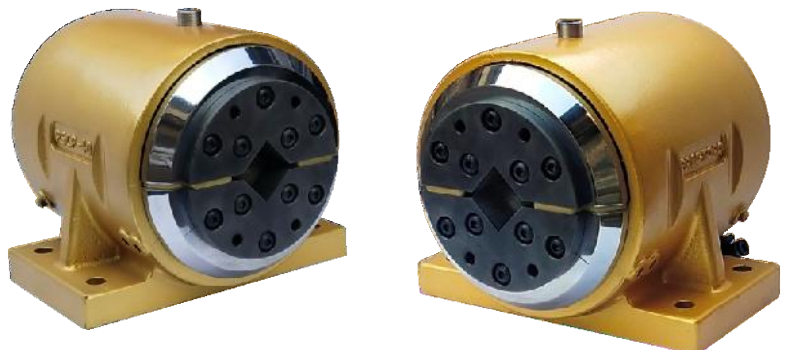
Jeysons PSCF and PSCP lines of rugged safety chucks provide roll shaft support and torque transmission at a low cost. The maintenance-free design ensures optimal performance throughout the life of each safety chuck. Jeyson's chucks safe-guard your equipment securing the roll shaft in place during any wind/unwind operation. Our safety chucks will only open with the socket in the upright position. It opens and closes using compressed air. Equipped with 3 optional proximity sensors for detecting Lock, Open and Close Positions.

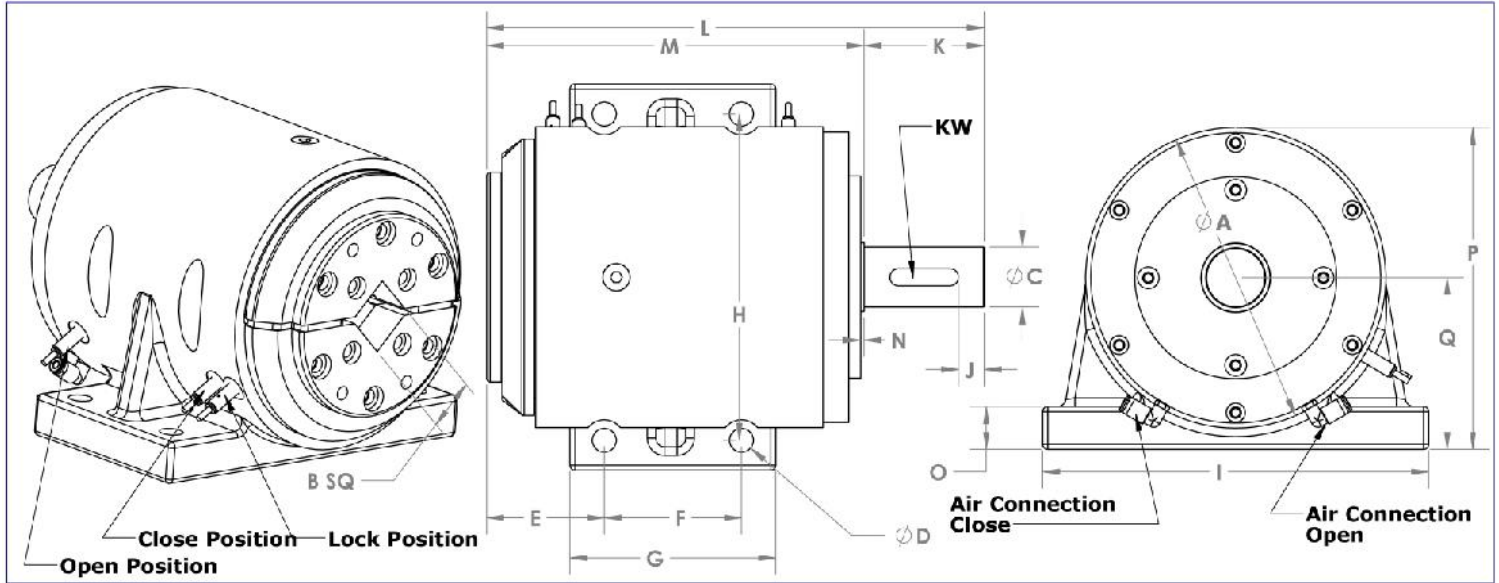
Available in either foot/pedestal or flange mounting, these safety chucks complement Jeysons dependable line of tension control brakes and clutches, offering you a complete package with seamless installation and operation.

- Redundant safety mechanisms securely lock shaft in place.
- Long, maintenance-free life.
- Durable construction.
- Standard Spheroidal Graphite Cast Iron Housing.
- Chrome plated, steel handwheel.
- Inserts are through hardened to 50-55 HRC. Optional Electroless Nickel Plated for 68-70 HRC
- Available in ready-to-assemble brake packages.
- Free turning, precision ball bearings.
- Shaft extensions with keyway, as per client needs.
- Foot/Pedestal or flange mounting
- Inch / Metric size sockets available as standard
- Proximity Sensor position is left side as standard.

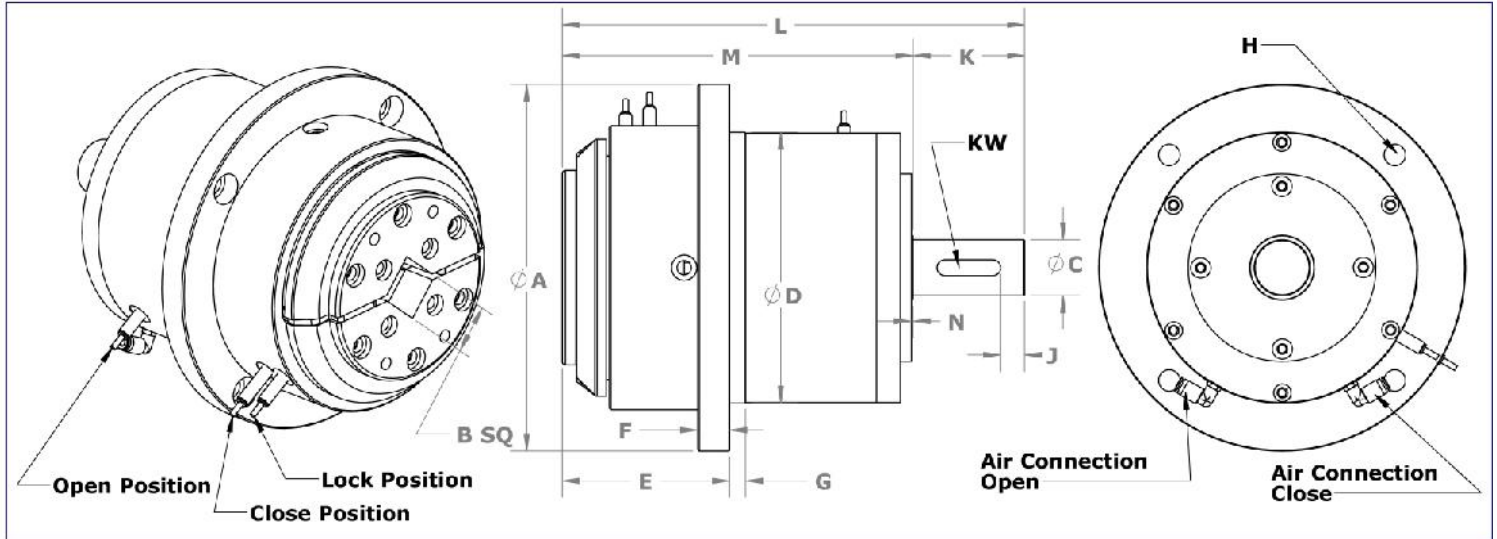
Applications

- Converting
- Printing
- Rubber
- Film
- Foil
- Paper
- Plastics
- Textiles
- Rope/Cable/Wire





MODEL	Type	Pedestal (Foot) Mounted Safety Chuck - PSCP	
	Size	30-40	40-50
TECHNICAL	Max. Beam Weight (Kg)	1600	2800
	Torque (Nm)	350	1100
	Square Size (Min-Max)	30-40	40-50
	Square Size (Depth)	25	27
DIAMETER	∅A	175	216
	∅C	35 k6	45 k6
	∅D	14	14
LENGTH	Keyway (KW)	10 P9 x 5 x 40	14 P9 x 5.5 x 90
	E	69	78
	F	80	100
	G	120	140
	H	190	240
	I	225	275
	J	15	10
	K	70	110
	L	290	366
	M	220	256
	N	2	2
	O	25	25
	P	187.5	220
	Q	100	112
HOLES	4	4	



MODEL	Type	Flange Mounted Safety Chuck - PSCF	
	Size	30-40	40-50
TECHNICAL	Max. Beam Weight (Kg)	1600	2800
	Torque (Nm)	350	1100
	Square Size (Min-Max)	30-40	40-50
	Square Size (Depth)	25	27
DIAMETER	$\varnothing A$	230	285
	$\varnothing C$	35 k6	45 k6
	$\varnothing D$	170 -0.1	212 -0.1
LENGTH	Keyway (KW)	10 P9 x 5 x 40	14 P9 x 5.5 x 90
	E	105	120
	F	20	20
	G	10	10
	H	4 x $\varnothing 13$ @200PCD	6 x $\varnothing 18$ @250PCD
	J	15	10
	K	70	110
	L	290	366
	M	220	256
N	2	2	


JEYSONS
 INDUSTRIES

L11-L14, Chaudhary Ind. Estate, Vakan Pada,
 Nalasopara East, Tal. Vasai, Dist. Palghar - 401209. **INDIA**
 Phone: +91-98191-19925, +91-90828-17676
 Email: sales@jeysons.com, Web: www.jeysons.com
 Mobile: +91-98202-83685

