

JEYSONS INDUSTRIES

Small Investment

Big Savings

*Answer for your heavy load roll shaft
support wind and unwind system*



REPLACEABLE INSERT TYPE MECHANICAL SAFETY CHUCKS

High Performance Safety Chucks

JEYSONS's, rugged and high-performing Replaceable Insert Type Safety Chucks provide roll shaft support and torque transmission at minimal cost. The maintenance-free design ensures optimal performance throughout the life cycle of each safety chuck. Jeyson's units safe-guard your equipment securing the roll shaft in place during any wind and/or unwind operation. Our safety chucks will only open with the socket in the upright position, it maximizes worker safety.

Available in Foot and Flange Mounting, these chucks complement our dependable line of Tension Control Brakes and Clutches, offering you a complete package with seamless installation and trouble-free operation.

Salient Features are as under:

Redundant safety mechanism securely locks shaft in place.

Long maintenance and trouble-free life, saves time and reduce downtime.

Durable Construction.

Cast Iron Housing.

Chrome Plated Steel Hand-wheel.

Shaft hardened to 28-32 HRC. 58-60 HRC Shaft also available.

Free turning precision sealed ball bearing are permanently lubricated.

Shaft Extension with Keyway. Custom Shaft Lengths are available upon request.

Foot and Flange Mounting.

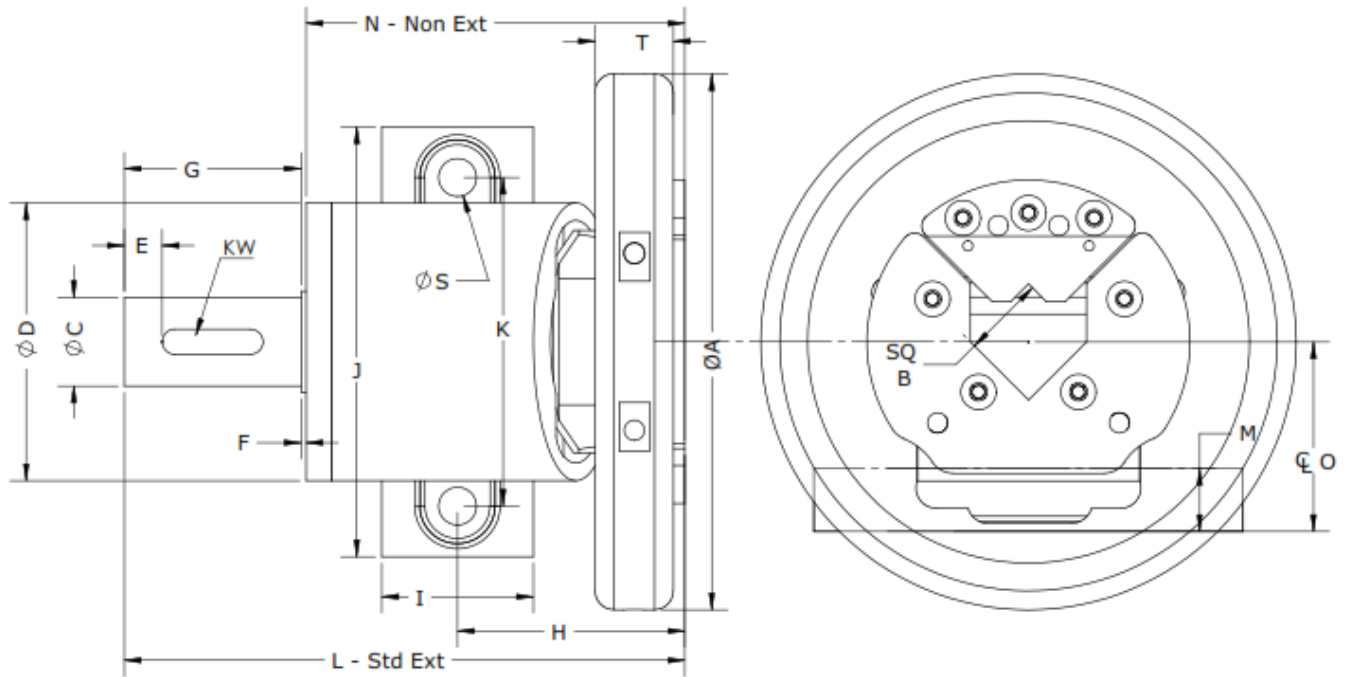
Inch and Metric Size Socket are standard.

Square and Diamond Insert Types are available as standard.

Inserts are hardened to 45-50 HRC.

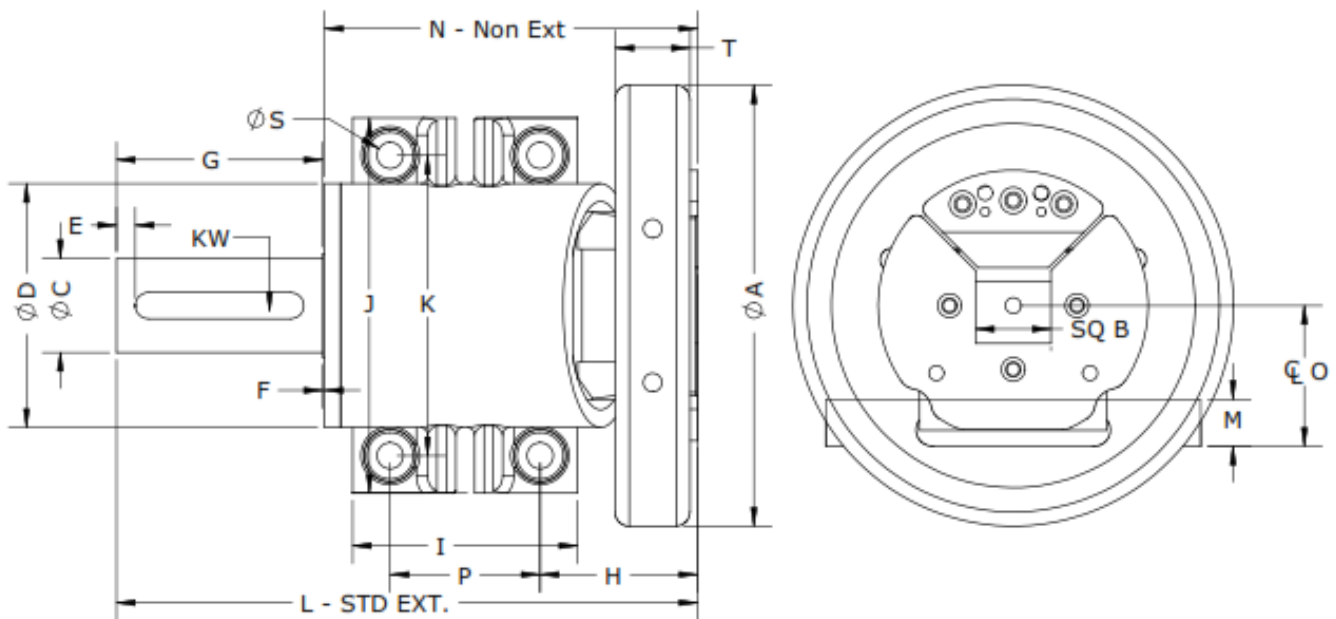
Custom Design available as per customers requirements.

Foot Mounted Safety Chucks - 2 Holes Housing



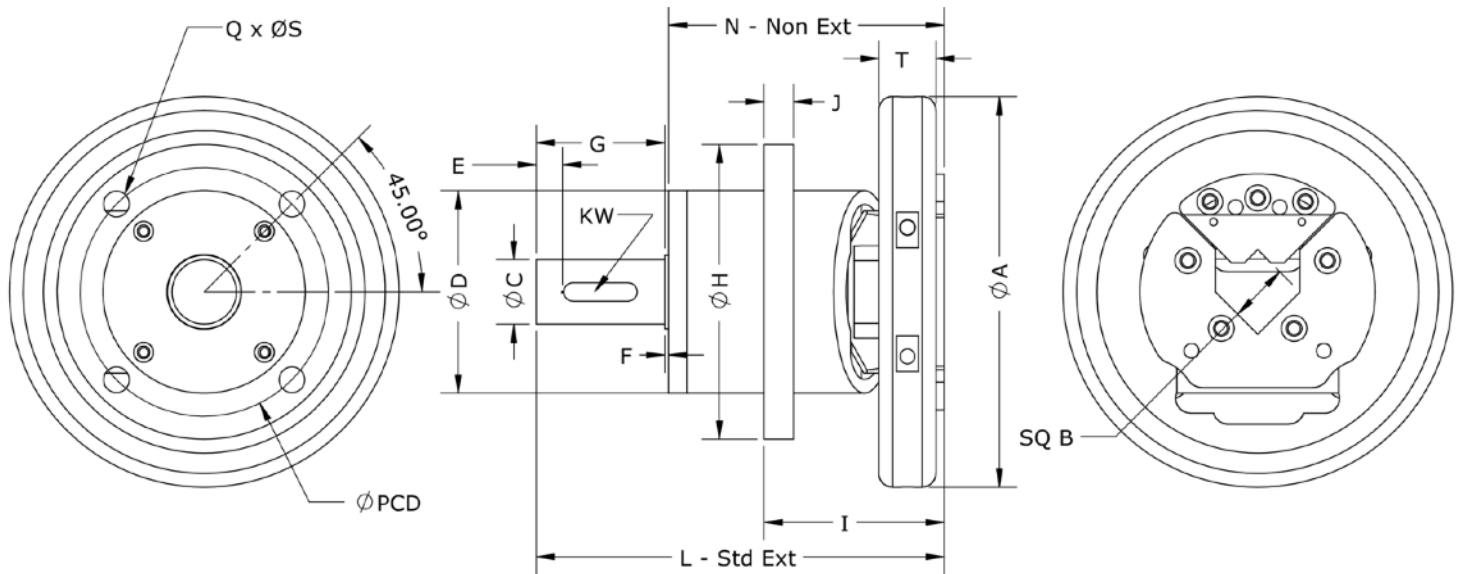
FOOT MOUNTED 2 HOLES HOUSING	MSCPR-19-25	MSCPR-22-30	MSCPR-30-40
Max Beam Weight (Kgs)	400	800	1600
Torque (Nm)	120	180	395
Square Size B (Min.)	19	22	30
Square Size B (Max.)	25	30	40
ØA (mm)	140	160	212
ØC (mm) (Max.)	19	28.575	35
ØD (mm)	75	90	110
Keyway (Width x Depth x Length)	6 x 3 x 35	8 x 4 x 40	10 x 5 x 40
E (mm)	5	15	15
F (mm)	1	1	2
G (mm)	45	70	70
H (mm)	70	78	90
I (mm)	50	55	60
J (mm)	120	140	170
K (mm)	100	105	130
L (mm)	156	202	222
M (mm)	18	22	25
N (mm)	110	131	150
O (mm)	50	65	75
S (mm)	9.5	13	15
T (mm)	20	25	32

Foot Mounted Safety Chucks - 4 Holes Housing



FOOT MOUNTED 4 HOLES HOUSING	MSCPR-30-40	MSCPR-40-50	MSCPR-50-80
Max Beam Weight (Kgs)	1600	2800	7000
Torque (Nm)	395	1100	2350
Square Size B (Min.)	30	40	50
Square Size B (Max.)	40	50	80
ØA (mm)	212	235	320
ØC (mm) (Max.)	35	50	75
ØD (mm)	110	130	180
Keyway (Width x Depth x Length)	10 x 5 x 40	14x5.5x90	20x7.5x110
E (mm)	15	10	15
F (mm)	2	1	3.5
G (mm)	70	110	140
H (mm)	67.5	84	124
I (mm)	80	120	170
J (mm)	170	200	250
K (mm)	130	160	200
L (mm)	222	310	420
M (mm)	18	25	27
N (mm)	150	199	276.5
O (mm)	60	75	90
P (mm)	55	80	120
S (mm)	13	14	18
T (mm)	32	40	50

Flange Mounted Safety Chucks



FLANGE MOUNTED HOUSING	MSCFR-19-25	MSCFR-22-30	MSCFR-30-40	MSCFR-40-50	MSCFR-50-80
Max Beam Weight (Kgs)	400	800	1600	2800	7000
Torque (Nm)	120	180	395	1100	2350
Square Size B (Min.)	19	22	30	40	50
Square Size B (Max.)	25	30	40	50	80
ØA (mm)	140	160	212	235	320
ØC (mm) (Max.)	19	28.575	35	50	75
ØD (mm)	75	90	110	130	185
ØH (mm)	110	140	160	210	260
Keyway (Width x Depth x Length)	6 x 3 x 35	8 x 4 x 40	10 x 5 x 40	14x5.5x90	20x7.5x110
E (mm)	5	15	15	10	15
F (mm)	1	1	2	1	3.5
G (mm)	45	70	70	110	140
I (mm)	82	91	98	130	200
J (mm)	12	15	16	22	27
L (mm)	110	131	222	310	420
N (mm)	110	131	150	199	276.5
PCD (mm)	92	115	135	170	220
Q (No. of Holes)	4	4	4	4	6
S (mm)	9	11	13	18	14
T (mm)	20	25	32	40	50

JEYSONS's PRODUCT RANGE



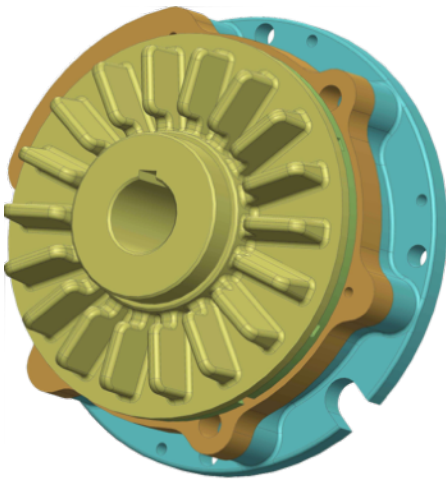
Pneumatic Clutch & Brake (PCB)



Micro Friction Air Clutch



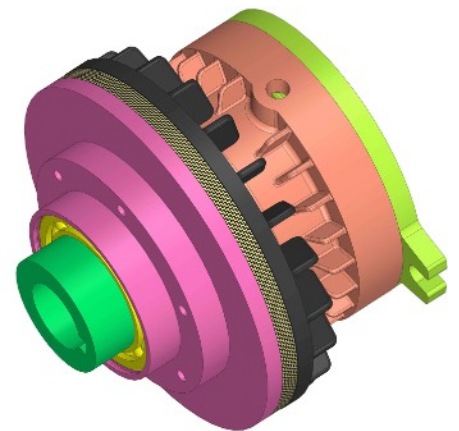
Air Tooth Clutch



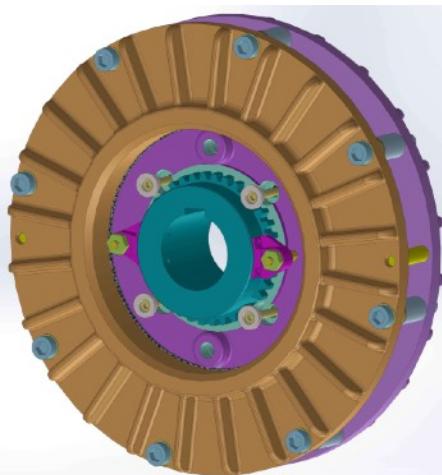
Air Brake



Mechanical One Way Clutch



Single Disc Friction Air Clutch



Dual Plate Friction Air Clutch



Servo Motor Safety Brake



Pneumatic Safety Chuck

JEYSONS INDUSTRIES
L11-L14, CHAUDHARY INDUSTRIAL ESTATE,
VAKAN PADA, NALLASOPARA EAST,
TAL. VASAI, DIST. PALGHAR 401208
MOB: +91-9819 119925, +91-9167700983, +91-98208 17676
Email: sales@jeysons.com, URL: www.jeysons.com

AUTHORISED DEALER